

По вопросам продаж и поддержки обращайтесь:

Архангельск (8182)63-90-72
Астана (7172)727-132
Астрахань (8512)99-46-04
Барнаул (3852)73-04-60
Белгород (4722)40-23-64
Брянск (4832)59-03-52
Владивосток (423)249-28-31
Волгоград (844)278-03-48
Вологда (8172)26-41-59
Воронеж (473)204-51-73
Екатеринбург (343)384-55-89

Иваново (4932)77-34-06
Ижевск (3412)26-03-58
Казань (843)206-01-48
Калининград (4012)72-03-81
Калуга (4842)92-23-67
Кемерово (3842)65-04-62
Киров (8332)68-02-04
Краснодар (861)203-40-90
Красноярск (391)204-63-61
Курск (4712)77-13-04
Липецк (4742)52-20-81

Магнитогорск (3519)55-03-13
Москва (495)268-04-70
Мурманск (8152)59-64-93
Набережные Челны (8552)20-53-41
Нижний Новгород (831)429-08-12
Новокузнецк (3843)20-46-81
Новосибирск (383)227-86-73
Омск (3812)21-46-40
Орел (4862)44-53-42
Оренбург (3532)37-68-04
Пенза (8412)22-31-16

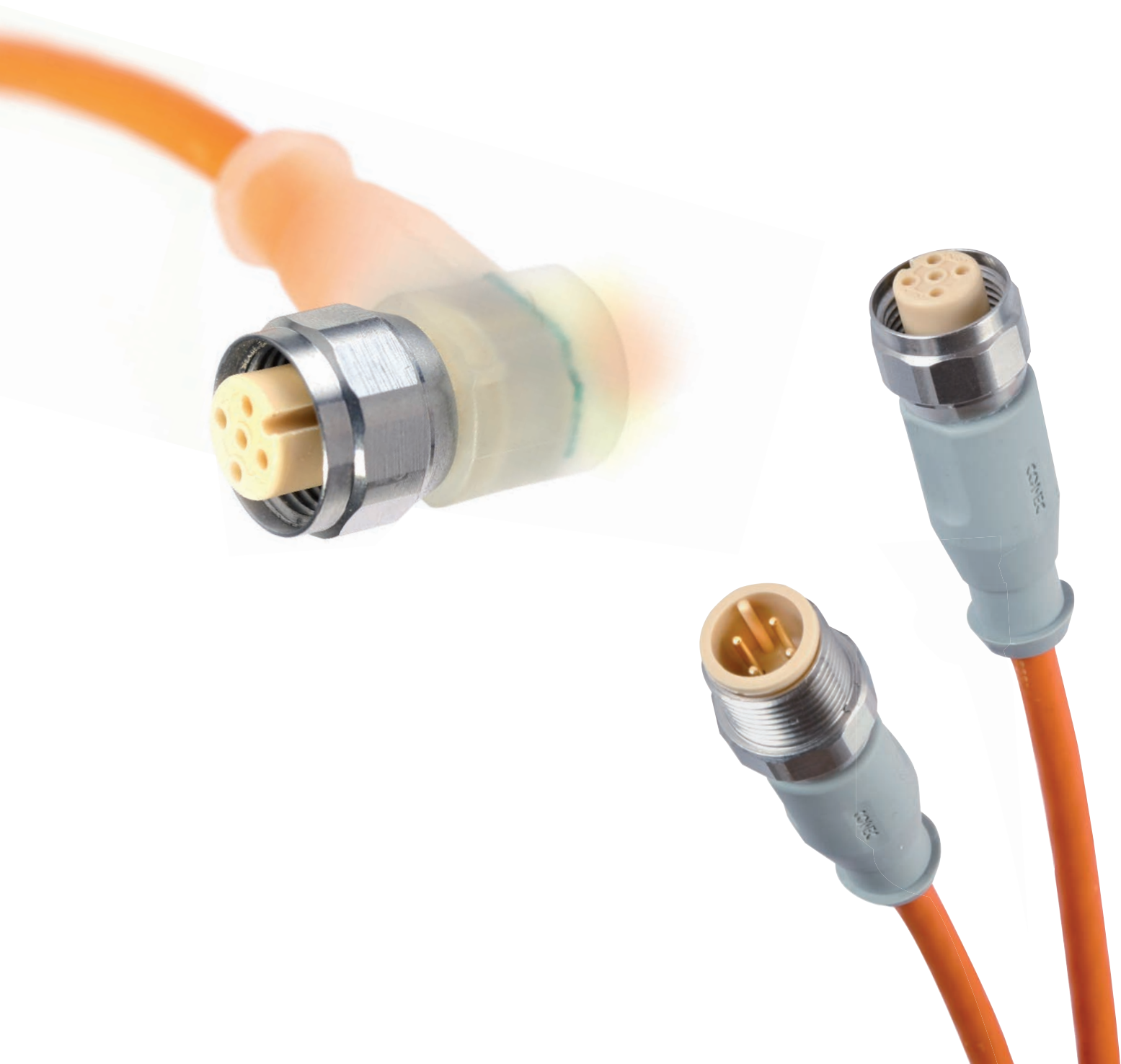
Пермь (342)205-81-47
Ростов-на-Дону (863)308-18-15
Рязань (4912)46-61-64
Самара (846)206-03-16
Санкт-Петербург (812)309-46-40
Саратов (845)249-38-78
Севастополь (8692)22-31-93
Симферополь (3652)67-13-56
Смоленск (4812)29-41-54
Сочи (862)225-72-31
Ставрополь (8652)20-65-13

Сургут (3462)77-98-35
Тверь (4822)63-31-35
Томск (3822)98-41-53
Тула (4872)74-02-29
Тюмень (3452)66-21-18
Ульяновск (8422)24-23-59
Уфа (347)229-48-12
Хабаровск (4212)92-98-04
Челябинск (351)202-03-61
Череповец (8202)49-02-64
Ярославль (4852)69-52-93

Единый адрес: ccn@nt-rt.ru | <http://www.conec.nt-rt.ru>

SECTION 8

FOOD & BEVERAGE CONNECTORS





SAL M8x1 / M12x1 FOOD & BEVERAGE CONNECTORS OVERMOULDED

Nomenclature

S A L - F B - 1 2 - R K W 4 - 2 L - 3 / P 1

SAL
Sensor Actor Line

Type
FB = Food & Beverage

Installation size
8 = M8x1
12 = M12x1

Coding
= A-coding

Design
R = Circular connector

Gender
K = Female connector
S = Male connector

Configuration
= Axial
W = Angled

Number of poles
3 = 3-pos.
4 = 4-pos.
5 = 5-pos.

LED-Display
2L = 2-LED
3L = 3-LED

Cable length
XX = Length [m]

Cable quality
P1 = PP, orange

SAL M8x1 / M12x1 FOOD & BEVERAGE CONNECTORS OVERMOULDED

Product specification

Basic material	
Contact	CuZn
Contact plating	Nickel plated, gold plated
Contact carrier	PP GF, UL 94
Overmould	TPE
Sealing	FPM
Coupling nut/-screw	1.4404 stainless steel

Technical Data		
Information on the following pages are basing on below mentioned IEC-standards.		
	M8	M12
Rated voltage	IEC 61076-2-104	IEC 61076-2-101
Current rating	IEC 61076-2-104	IEC 61076-2-101
Insulation resistance	IEC 60512	IEC 60512-2
Degree of pollution	IEC 60664-1	IEC 60664-1
Degree of protection	DIN 40050-9	DIN 40050-9
Mating cycles	IEC 60512-9a	IEC 60512-9a

Recommended torque M8: 0.4 Nm

Recommended torque M12: 0.6 Nm

Technical subject to change without notice.

SAL M8x1/M12x1 FOOD & BEVERAGE SOCKETS

Nomenclature

S A L - F B - 1 2 - F K P 4 - 0,5 - 9

SAL
Sensor Actor Line

Type
FB = Food & Beverage

Installation size
8 = M8x1
12 = M12x1

Coding
= A-coding

Design
F = Socket

Gender
K = Female connector
S = Male connector

Assembly
= Front panel mounting
P = Positioning possible, Front panel mounting
H = Back panel mounting

Number of poles
3 = 3-pos.
4 = 4-pos.
5 = 5-pos.
8 = 8-pos.

Type of Connection/Installation height
XX = Wire length [m]
P5,5 = Dip solder 5.5 mm
P12 = Dip solder 12 mm
Pxx = Installation height one-piece socket

Screw connection
= M8x0.5 by M8x1
= M16x1.5 by M12x1
9 = PG9 by M12x1

SAL M8x1/M12x1 FOOD & BEVERAGE SOCKETS

Product specification

Basic material	
Contact	CuZn
Contact plating	Nickel plated, gold plated
Contact carrier	PP GF, UL 94
Sealing	FPM
Counter nut	1.4404 stainless steel
Socket housing	1.4404 stainless steel
Sealing compound	Polyurethane-resin, UL 94

Technical Data

Information on the following pages are basing on below mentioned IEC-standards.

	M8	M12
Rated voltage	IEC 61076-2-104	IEC 61076-2-101
Current rating	IEC 61076-2-104	IEC 61076-2-101
Insulation resistance	IEC 60512	IEC 60512
Degree of pollution	IEC 60664-1	IEC 60664-1
Degree of protection	DIN 40050-9	DIN 40050-9
Mating cycles	IEC 60512-9a	IEC 60512-9a

Recommended torque M8: 0.6-0.8 Nm

Recommended torque M12: 1-1.2 Nm

Technical subject to change without notice.

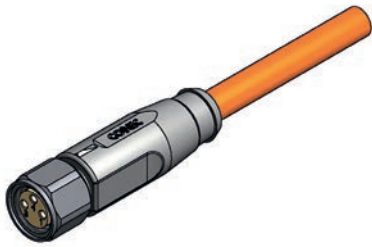
M8x1 F&B CONNECTORS OVERMOULDED

Female connector axial

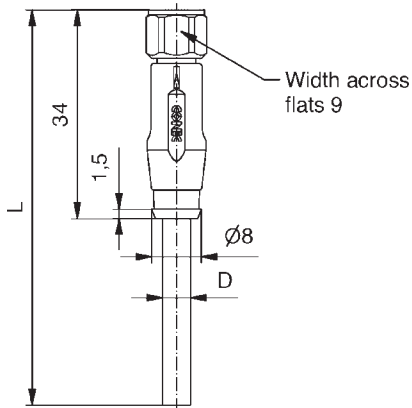
PP, orange, Li12Y9Y

Contact assignment

Number of poles	Coding	Rated voltage [V]	Current rating [A]	Cable length = L [m]	Wire cross section [mm ²]	Description	Part No.
3		50 V AC / 60 V DC	3	0,25	2	SAL-FB-8-RK3-2 / P1	42-10468
					3	SAL-FB-8-RK3-3 / P1	42-10469
					5	SAL-FB-8-RK3-5 / P1	42-10470
					10	SAL-FB-8-RK3-10 / P1	42-10471
					2	SAL-FB-8-RK4-2 / P1	42-10472
4		50 V AC / 60 V DC	3	0,25	3	SAL-FB-8-RK4-3 / P1	42-10473
					5	SAL-FB-8-RK4-5 / P1	42-10474
					10	SAL-FB-8-RK4-10 / P1	42-10475
					2	SAL-FB-8-RK4-2 / P1	42-10472



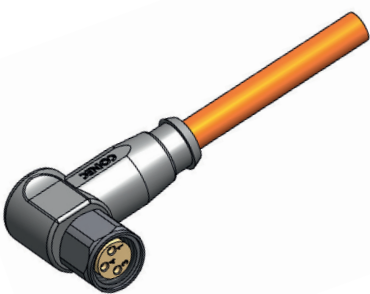
Pin 1 ■
Pin 3 ■
Pin 4 ■



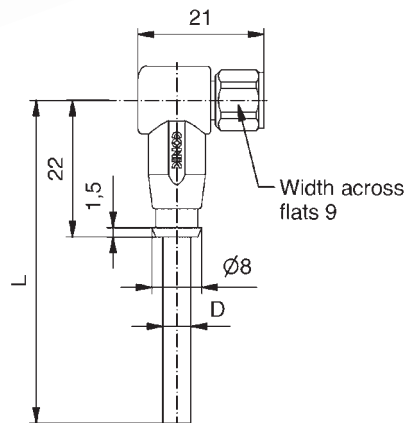
Pin 1 ■
Pin 2 ■
Pin 3 ■
Pin 4 ■

Female connector angled

PP, orange, Li12Y9Y



Pin 1 ■
Pin 3 ■
Pin 4 ■



Pin 1 ■
Pin 2 ■
Pin 3 ■
Pin 4 ■

3		50 V AC / 60 V DC	3	0,25	2	SAL-FB-8-RKW3-2 / P1	42-10484
					3	SAL-FB-8-RKW3-3 / P1	42-10485
					5	SAL-FB-8-RKW3-5 / P1	42-10486
					10	SAL-FB-8-RKW3-10 / P1	42-10487
4		50 V AC / 60 V DC	3	0,25	2	SAL-FB-8-RKW4-2 / P1	42-10488
					3	SAL-FB-8-RKW4-3 / P1	42-10489
					5	SAL-FB-8-RKW4-5 / P1	42-10490
					10	SAL-FB-8-RKW4-10 / P1	42-10491

M8x1 F&B CONNECTORS OVERMOULDED with LED

Female connector angled, 2-LED

PP, orange, Li12Y9Y

Contact assignment

Number of poles

Coding

Rated voltage [V]

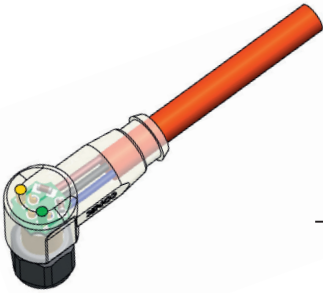
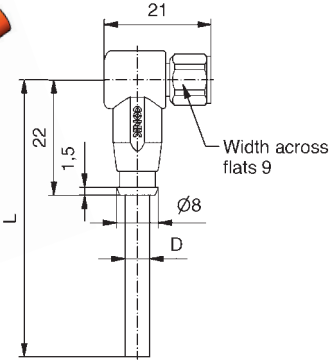
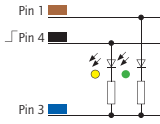
Current rating [A]

Cable length = L [m]

Wire cross section [mm²]

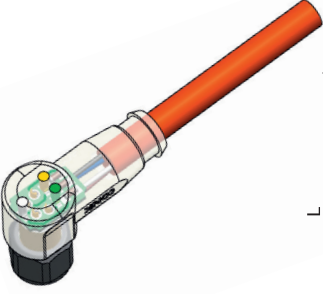
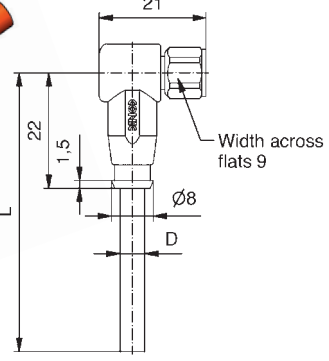
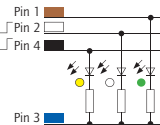
Description

Part No.

  	2				0,25	SAL-FB-8-RKW3-2L-2/P1	42-10500
	3		30	3		SAL-FB-8-RKW3-2L-3/P1	42-10501
	5					SAL-FB-8-RKW3-2L-5/P1	42-10502
	10					SAL-FB-8-RKW3-2L-10/P1	42-10503

Female connector angled, 3-LED

PP, orange, Li12Y9Y

  	2				0,25	SAL-FB-8-RKW4-3L-2/P1	42-10504
	3		30	3		SAL-FB-8-RKW4-3L-3/P1	42-10505
	5					SAL-FB-8-RKW4-3L-5/P1	42-10506
	10					SAL-FB-8-RKW4-3L-10/P1	42-10507

M8x1 F&B CONNECTORS OVERMOULDED

Male connector axial

PP, orange, Li12Y9Y

Contact assignment

Number of poles

Coding

Rated voltage [V]

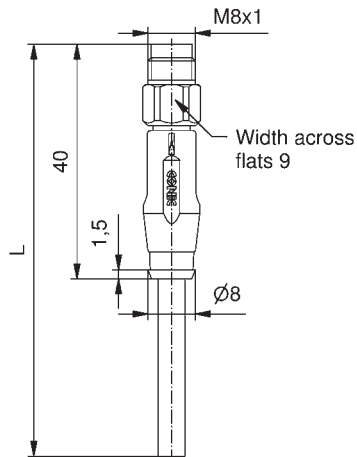
Current rating [A]

Cable Length = L [m]

Wire cross section [mm²]

Description

Part No.



Pin 1 ■
Pin 3 ■
Pin 4 ■

Pin 1 ■
Pin 2 ■
Pin 3 ■
Pin 4 ■

3

50 V AC / 60 V DC

3

0,25

SAL-FB-8-RS3-2 / P1

42-10476

SAL-FB-8-RS3-3 / P1

42-10477

SAL-FB-8-RS3-5 / P1

42-10478

SAL-FB-8-RS3-10 / P1

42-10479

4

50 V AC / 60 V DC

3

0,25

SAL-FB-8-RS4-2 / P1

42-10480

SAL-FB-8-RS4-3 / P1

42-10481

SAL-FB-8-RS4-5 / P1

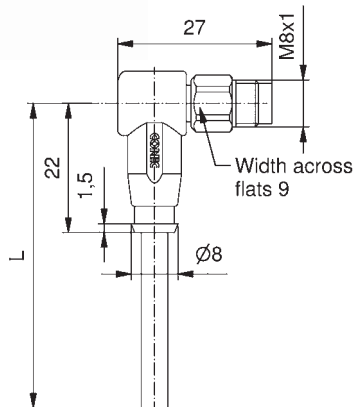
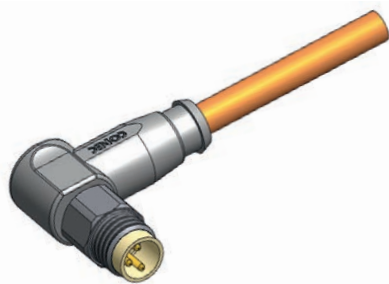
42-10482

SAL-FB-8-RS4-10 / P1

42-10483

Male connector angled

PP, orange, Li12Y9Y



Pin 1 ■
Pin 3 ■
Pin 4 ■

Pin 1 ■
Pin 2 ■
Pin 3 ■
Pin 4 ■

3

50 V AC / 60 V DC

3

0,25

SAL-FB-8-RSW3-2 / P1

42-10492

SAL-FB-8-RSW3-3 / P1

42-10493

SAL-FB-8-RSW3-5 / P1

42-10494

SAL-FB-8-RSW3-10 / P1

42-10495

4

50 V AC / 60 V DC

3

0,25

SAL-FB-8-RSW4-2 / P1

42-10496

SAL-FB-8-RSW4-3 / P1

42-10497

SAL-FB-8-RSW4-5 / P1

42-10498

SAL-FB-8-RSW4-10 / P1

42-10499

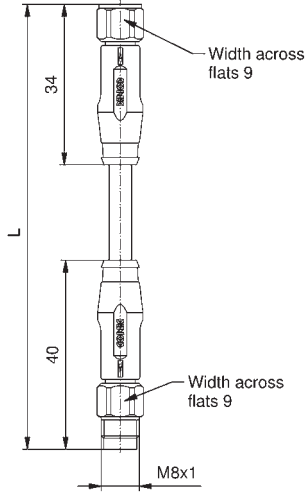
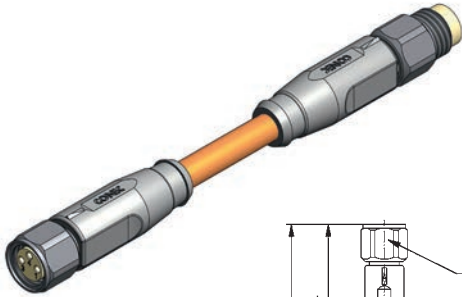
M8x1 F&B CONNECTORS OVERMOULDED
Connecting cable

Female connector axial
Male connector axial

PP, orange, Li12Y9Y

Contact assignment

Number of poles	Coding	Rated voltage [V]	Current rating [A]	Cable Length = L [m]	Wire cross section [mm ²]	Description	Part No.
3		50 V AC / 60 V DC	3	0,25	0,3	SAL-FB-8-RK3-RS3-0,3/P1	42-13198
						SAL-FB-8-RK3-RS3-0,6/P1	42-13199
						SAL-FB-8-RK3-RS3-1,5/P1	42-13010
						SAL-FB-8-RK3-RS3-3/P1	42-13200
4		50 V AC / 60 V DC	3	0,25	0,3	SAL-FB-8-RK4-RS4-0,3/P1	42-13201
						SAL-FB-8-RK4-RS4-0,6/P1	42-13160
						SAL-FB-8-RK4-RS4-1,5/P1	42-13202
						SAL-FB-8-RK4-RS4-3/P1	42-13203



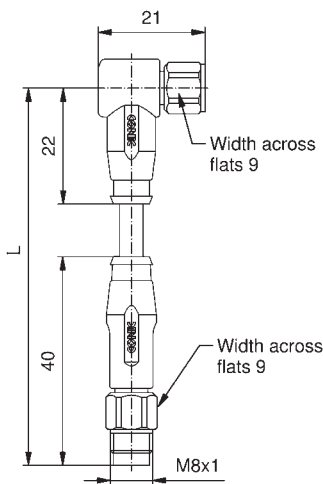
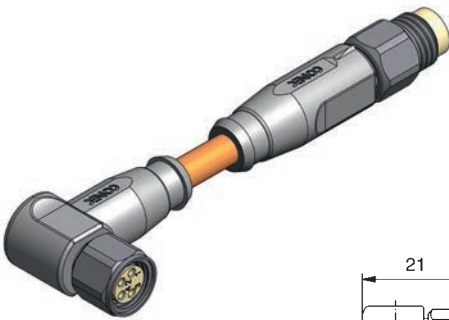
Pin 1 ■
Pin 3 ■
Pin 4 ■

Pin 1 ■
Pin 2 ■
Pin 3 ■
Pin 4 ■

Female connector angled
Male connector axial

PP, orange, Li12Y9Y

3		50 V AC / 60 V DC	3	0,25	0,3	SAL-FB-8-RKW3-RS3-0,3/P1	42-13204
						SAL-FB-8-RKW3-RS3-0,6/P1	42-13205
						SAL-FB-8-RKW3-RS3-1,5/P1	42-13206
						SAL-FB-8-RKW3-RS3-3/P1	42-13207
4		50 V AC / 60 V DC	3	0,25	0,3	SAL-FB-8-RKW4-RS4-0,3/P1	42-13208
						SAL-FB-8-RKW4-RS4-0,6/P1	42-13209
						SAL-FB-8-RKW4-RS4-1,5/P1	42-13210
						SAL-FB-8-RKW4-RS4-3/P1	42-13211



Pin 1 ■
Pin 3 ■
Pin 4 ■

Pin 1 ■
Pin 2 ■
Pin 3 ■
Pin 4 ■

M8x1 F&B CONNECTORS OVERMOULDED
Connecting cable with LED

Female connector angled, 2-fold LED
Male connector axial

PP, orange, Li12Y9Y

Contact assignment

Number of poles

Coding

Rated voltage [V]


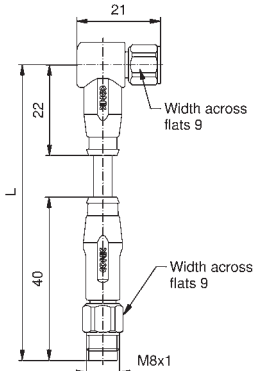
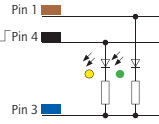
Current rating [A]

Cable length = L [m]

Wire cross section [mm²]

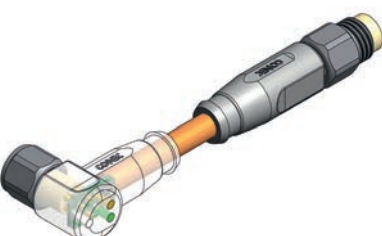
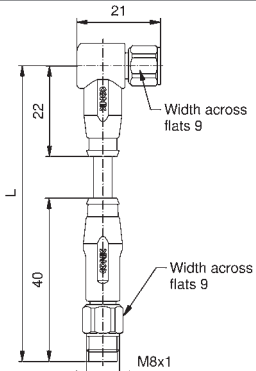
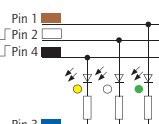
Description

Part No.

		Number of poles	Coding	Rated voltage [V]	Current rating [A]	Cable length = L [m]	Wire cross section [mm ²]	Description	Part No.
  	0,3	3		30	3	0,25	SAL-FB-8-RKW3-RS3-2L-0,3/P1	42-13212	
	0,6						SAL-FB-8-RKW3-RS3-2L-0,6/P1	42-13213	
	1,5						SAL-FB-8-RKW3-RS3-2L-1,5/P1	42-13214	
	3						SAL-FB-8-RKW3-RS3-2L-3/P1	42-13215	

Female connector angled, 3-fold LED
Male connector axial

PP, orange, Li12Y9Y

		Number of poles	Coding	Rated voltage [V]	Current rating [A]	Cable length = L [m]	Wire cross section [mm ²]	Description	Part No.
  	0,3	3		30	3	0,25	SAL-FB-8-RKW4-RS4-3L-0,3/P1	42-13216	
	0,6						SAL-FB-8-RKW4-RS4-3L-0,6/P1	42-13217	
	1,5						SAL-FB-8-RKW4-RS4-3L-1,5/P1	42-13218	
	3						SAL-FB-8-RKW4-RS4-3L-3/P1	42-13219	

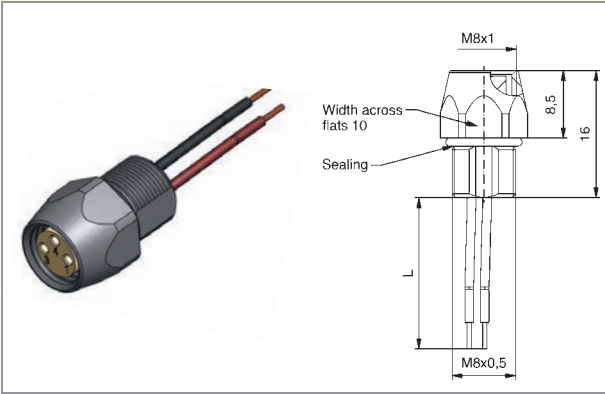
M8x1 F&B SOCKETS

Front panel mounting, wire termination

Female connector, M8x0.5 thread

Contact assignment

Number of poles	Coding	Rated voltage [V]	Current rating [A]	Wire material	Wire cross section [AWG]	Wire Length = L [m]	Description	Part No.
3		50 V AC / 60 V DC	3	PVC	24	0,2	SAL-FB-8-FK3-0,2	42-01018
4		50 V AC / 60 V DC	3	PVC	24	0,2	SAL-FB-8-FK4-0,2	42-01019



- Pin 1 ■
 - Pin 3 ■
 - Pin 4 ■
-
- Pin 1 ■
 - Pin 2 ■
 - Pin 3 ■
 - Pin 4 ■

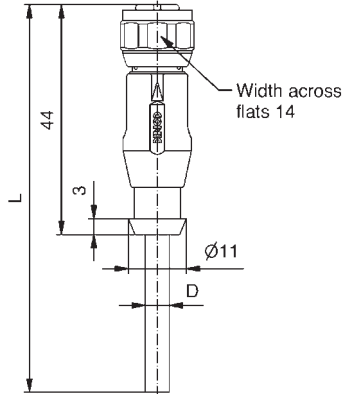
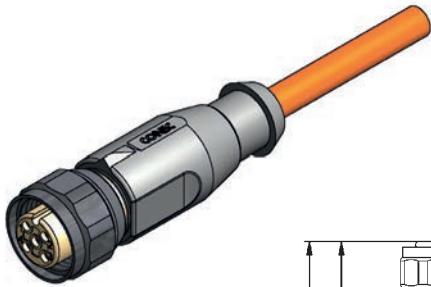
M12x1 F&B CONNECTORS OVERMOULDED

Female connector axial

PP, orange, Li12Y9Y

Contact assignment

Number of poles	Coding	Rated voltage [V]	Current rating [A]	Cable Length = L [m]	Wire cross section [mm ²]	Description	Part No.
4	A	250	4	0,34	2	SAL-FB-12-RK4-2/P1	43-10512
					3	SAL-FB-12-RK4-3/P1	43-10513
					5	SAL-FB-12-RK4-5/P1	43-10514
					10	SAL-FB-12-RK4-10/P1	43-10515
					2	SAL-FB-12-RK5-2/P1	43-10516
5	A	60	4	0,34	3	SAL-FB-12-RK5-3/P1	43-10517
					5	SAL-FB-12-RK5-5/P1	43-10518
					10	SAL-FB-12-RK5-10/P1	43-10519



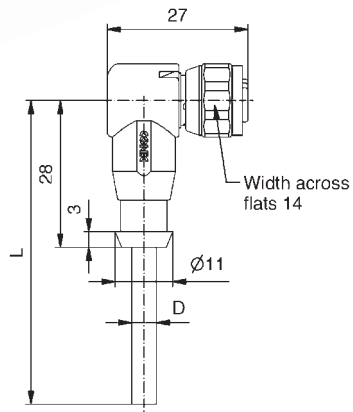
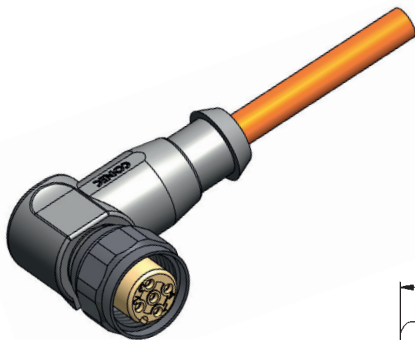
- Pin 1 ■
- Pin 2 ■
- Pin 3 ■
- Pin 4 ■

- Pin 1 ■
- Pin 2 ■
- Pin 3 ■
- Pin 4 ■
- Pin 5 ■

Female connector angled

PP, orange, Li12Y9Y

4	A	250	4	0,34	2	SAL-FB-12-RKW4-2/P1	43-10528
					3	SAL-FB-12-RKW4-3/P1	43-10529
					5	SAL-FB-12-RKW4-5/P1	43-10530
					10	SAL-FB-12-RKW4-10/P1	43-10531
					2	SAL-FB-12-RKW5-2/P1	43-10532
5	A	60	4	0,34	3	SAL-FB-12-RKW5-3/P1	43-10533
					5	SAL-FB-12-RKW5-5/P1	43-10534
					10	SAL-FB-12-RKW5-10/P1	43-10535



- Pin 1 ■
- Pin 2 ■
- Pin 3 ■
- Pin 4 ■

- Pin 1 ■
- Pin 2 ■
- Pin 3 ■
- Pin 4 ■
- Pin 5 ■

M12x1 F&B CONNECTORS OVERMOULDED with LED

Female connector angled, 3-LED

PP, orange, Li12Y9Y

Contact assignment

Number of poles

Coding

Rated voltage [V]

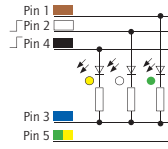
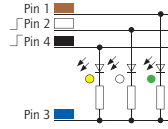
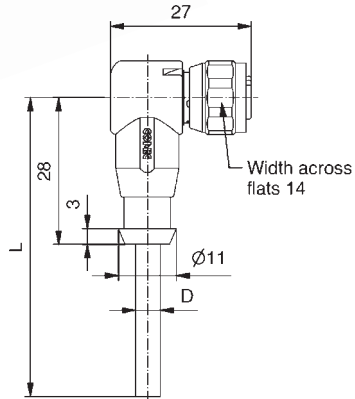
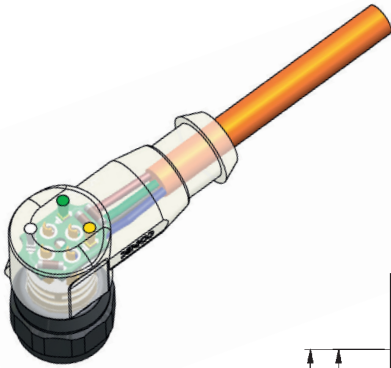
Current rating [A]

Cable length = L [m]

Wire cross section [mm²]

Description

Part No.



Number of poles	Coding	Rated voltage [V]	Current rating [A]	Cable length = L [m]	Wire cross section [mm ²]	Description	Part No.
4	A	30	4	0,34	2	SAL-FB-12-RKW4-3L-2/P1	43-11636
					3	SAL-FB-12-RKW4-3L-3/P1	43-11637
					5	SAL-FB-12-RKW4-3L-5/P1	43-11638
					10	SAL-FB-12-RKW4-3L-10/P1	43-11639
5	A	30	4	0,34	2	SAL-FB-12-RKW5-3L-2/P1	43-11640
					3	SAL-FB-12-RKW5-3L-3/P1	43-11641
					5	SAL-FB-12-RKW5-3L-5/P1	43-11642
					10	SAL-FB-12-RKW5-3L-10/P1	43-11643

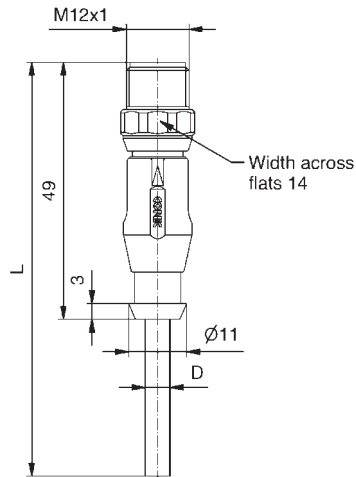
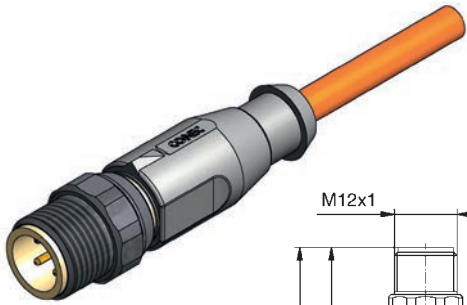
M12x1 F&B CONNECTORS OVERMOULDED

Male connector axial

PP, orange, Li12Y9Y

Contact assignment

Number of poles	Coding	Rated voltage [V]	Current rating [A]	Cable length = L [m]	Wire cross section [mm ²]	Description	Part No.
4	A	250	4	0,34	2	SAL-FB-12-RS4-2/P1	43-10520
					3	SAL-FB-12-RS4-3/P1	43-10521
					5	SAL-FB-12-RS4-5/P1	43-10522
					10	SAL-FB-12-RS4-10/P1	43-10523
					2	SAL-FB-12-RS5-2/P1	43-10524
5	A	60	4	0,34	3	SAL-FB-12-RS5-3/P1	43-10525
					5	SAL-FB-12-RS5-5/P1	43-10526
					10	SAL-FB-12-RS5-10/P1	43-10527



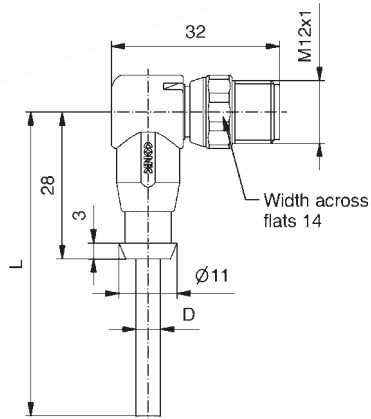
Pin 1 ■
Pin 2 ■
Pin 3 ■
Pin 4 ■

Pin 1 ■
Pin 2 ■
Pin 3 ■
Pin 4 ■
Pin 5 ■

Male connector angled

PP, orange, Li12Y9Y

4	A	250	4	0,34	2	SAL-FB-12-RSW4-2/P1/A1090	43-14824
					3	SAL-FB-12-RSW4-3/P1/A1090	43-14825
					5	SAL-FB-12-RSW4-5/P1/A1090	43-14826
					10	SAL-FB-12-RSW4-10/P1/A1090	43-14827
					2	SAL-FB-12-RSW5-2/P1/A1090	43-14828
5	A	60	4	0,34	3	SAL-FB-12-RSW5-3/P1/A1090	43-14829
					5	SAL-FB-12-RSW5-5/P1/A1090	43-14830
					10	SAL-FB-12-RSW5-10/P1/A1090	43-14831



Pin 1 ■
Pin 2 ■
Pin 3 ■
Pin 4 ■

Pin 1 ■
Pin 2 ■
Pin 3 ■
Pin 4 ■
Pin 5 ■

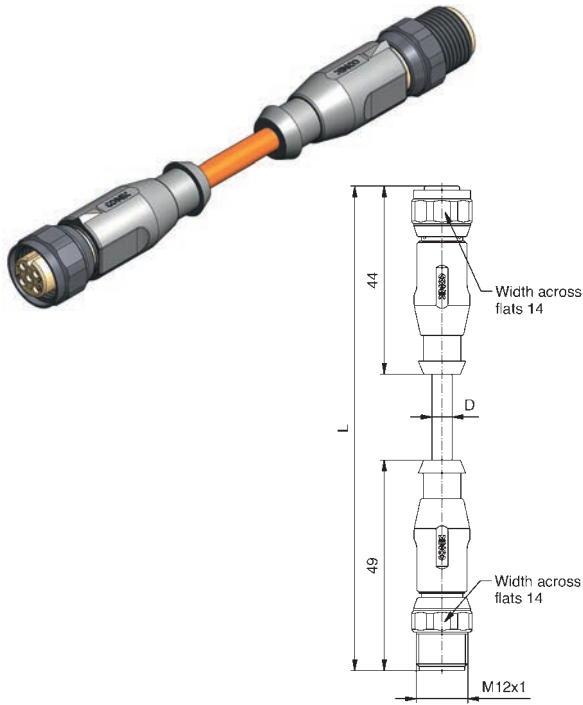
M12X1 F&B CONNECTORS OVERMOULDED
Connecting cable

Female connector axial
Male connector axial

PP, orange, Li12Y9Y

Contact assignment

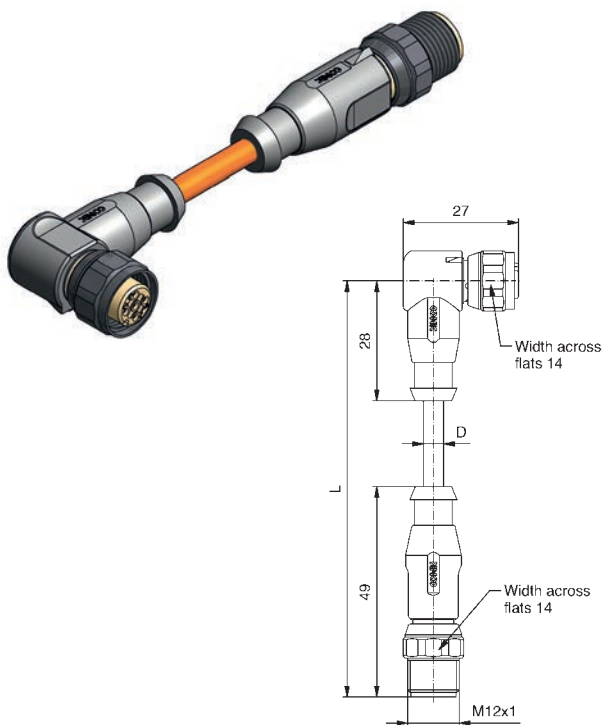
Number of poles	Coding	Rated voltage [V]	Current rating [A]	Cable length = L [m]	Wire cross section [mm ²]	Description	Part No.
4	A	250	4	0,34	0,3	SAL-FB-12-RK4-RS4-0,3/P1	43-10916
					0,6	SAL-FB-12-RK4-RS4-0,6/P1	43-10917
					1,5	SAL-FB-12-RK4-RS4-1,5/P1	43-10918
					3	SAL-FB-12-RK4-RS4-3/P1	43-10919
5	A	60	4	0,34	0,3	SAL-FB-12-RK5-RS5-0,3/P1	43-10920
					0,6	SAL-FB-12-RK5-RS5-0,6/P1	43-10921
					1,5	SAL-FB-12-RK5-RS5-1,5/P1	43-10922
					3	SAL-FB-12-RK5-RS5-3/P1	43-10923



Female connector angled
Male connector axial

PP, orange, Li12Y9Y

4	A	250	4	0,34	0,3	SAL-FB-12-RKW4-RS4-0,3/P1	43-10924
					0,6	SAL-FB-12-RKW4-RS4-0,6/P1	43-10925
					1,5	SAL-FB-12-RKW4-RS4-1,5/P1	43-10926
					3	SAL-FB-12-RKW4-RS4-3/P1	43-10927
5	A	60	4	0,34	0,3	SAL-FB-12-RKW5-RS5-0,3/P1	43-10928
					0,6	SAL-FB-12-RKW5-RS5-0,6/P1	43-10929
					1,5	SAL-FB-12-RKW5-RS5-1,5/P1	43-10930
					3	SAL-FB-12-RKW5-RS5-3/P1	43-10931



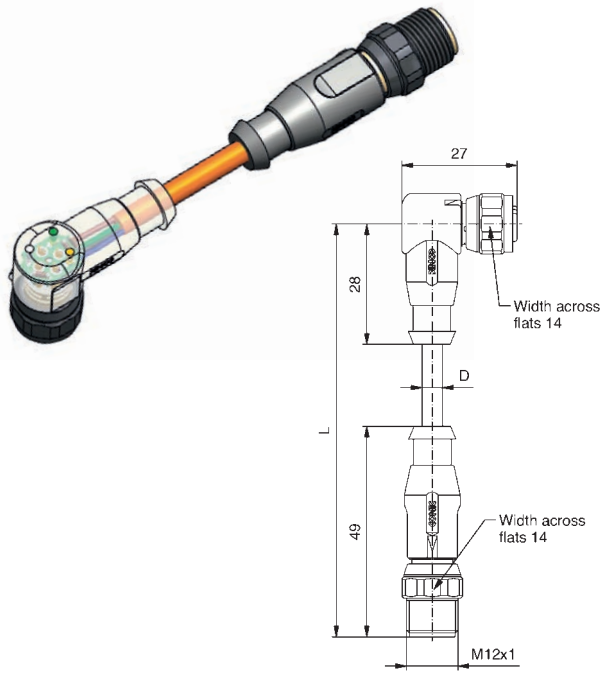
M12x1 F&B CONNECTORS OVERMOULDED
Connecting cable with LED

Female connector angled, 3-LED
Male connector axial

PP, orange, Li12Y9Y

Contact assignment

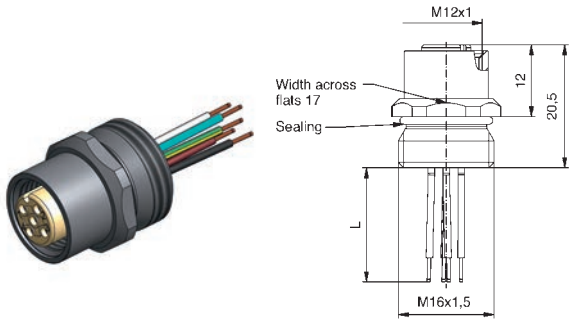
Number of poles	Coding	Rated voltage [V]	Current rating [A]	Cable length = L [m]	Wire cross section [mm ²]	Description	Part No.	
4	A	30	4	0,34	0,3	SAL-FB-12-RKW4-RS4-3L-0,3/P1	43-11652	
						0,6	SAL-FB-12-RKW4-RS4-3L-0,6/P1	43-11653
						1,5	SAL-FB-12-RKW4-RS4-3L-1,5/P1	43-11654
						3	SAL-FB-12-RKW4-RS4-3L-3/P1	43-11655
						0,3	SAL-FB-12-RKW5-RS5-3L-0,3/P1	43-11656
5	A	30	4	0,34	0,6	SAL-FB-12-RKW5-RS5-3L-0,6/P1	43-11657	
						1,5	SAL-FB-12-RKW5-RS5-3L-1,5/P1	43-11658
						3	SAL-FB-12-RKW5-RS5-3L-3/P1	43-11659
						0,3	SAL-FB-12-RKW5-RS5-3L-0,3/P1	43-11656



M12x1 F&B SOCKETS

Front panel mounting, wire termination

Female connector, M16x1.5 thread



Contact assignment

- Pin 1 ■
- Pin 2 ■
- Pin 3 ■
- Pin 4 ■

Number of poles	Coding	Rated voltage [V]	Current rating [A]	Wire material	Wire cross section [AWG]	Wire length = L [m]
4	A	250	4	PVC	24	0,5
5	A	60	4	PVC	24	0,5
8	A	30	2	PVC	24	0,5

Description

SAL-FB-12-FK4-0,5

Part No.

43-01018

- Pin 1 ■
- Pin 2 ■
- Pin 3 ■
- Pin 4 ■
- Pin 5 ■

SAL-FB-12-FK5-0,5

43-01019

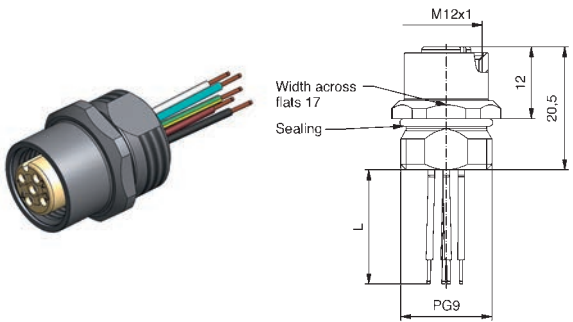
- Pin 1 ■
- Pin 2 ■
- Pin 3 ■
- Pin 4 ■

- Pin 5 ■
- Pin 6 ■
- Pin 7 ■
- Pin 8 ■

SAL-FB-12-FK8-0,5

43-02823

Female connector, PG9 thread



- Pin 1 ■
- Pin 2 ■
- Pin 3 ■
- Pin 4 ■

4	A	250	4	PVC	24	0,5
5	A	60	4	PVC	24	0,5
8	A	30	2	PVC	24	0,5

SAL-FB-12-FK4-0,5-9

43-01103

- Pin 1 ■
- Pin 2 ■
- Pin 3 ■
- Pin 4 ■
- Pin 5 ■

SAL-FB-12-FK5-0,5-9

43-01105

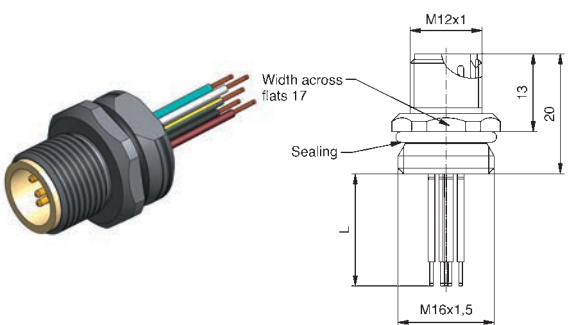
- Pin 1 ■
- Pin 2 ■
- Pin 3 ■
- Pin 4 ■

- Pin 5 ■
- Pin 6 ■
- Pin 7 ■
- Pin 8 ■

SAL-FB-12-FK8-0,5-9

43-02452

Male connector, M16x1.5 thread



- Pin 1 ■
- Pin 2 ■
- Pin 3 ■
- Pin 4 ■

4	A	250	4	PVC	24	0,5
5	A	60	4	PVC	24	0,5
8	A	30	2	PVC	24	0,5

SAL-FB-12-FS4-0,5

43-01020

- Pin 1 ■
- Pin 2 ■
- Pin 3 ■
- Pin 4 ■
- Pin 5 ■

SAL-FB-12-FS5-0,5

43-01021

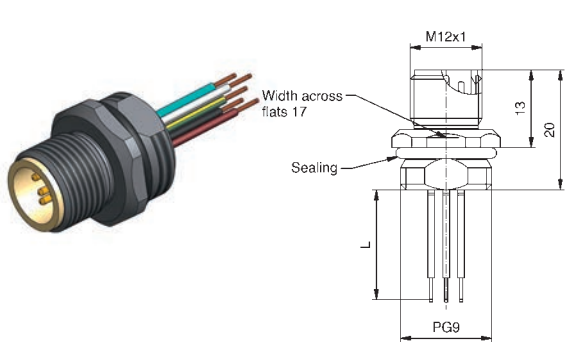
- Pin 1 ■
- Pin 2 ■
- Pin 3 ■
- Pin 4 ■

- Pin 5 ■
- Pin 6 ■
- Pin 7 ■
- Pin 8 ■

SAL-FB-12-FS8-0,5

43-01233

Male connector, PG9 thread



- Pin 1 ■
- Pin 2 ■
- Pin 3 ■
- Pin 4 ■

4	A	250	4	PVC	24	0,5
5	A	60	4	PVC	24	0,5
8	A	30	2	PVC	24	0,5

SAL-FB-12-FS4-0,5-9

43-01106

- Pin 1 ■
- Pin 2 ■
- Pin 3 ■
- Pin 4 ■
- Pin 5 ■

SAL-FB-12-FS5-0,5-9

43-01108

- Pin 1 ■
- Pin 2 ■
- Pin 3 ■
- Pin 4 ■

- Pin 5 ■
- Pin 6 ■
- Pin 7 ■
- Pin 8 ■

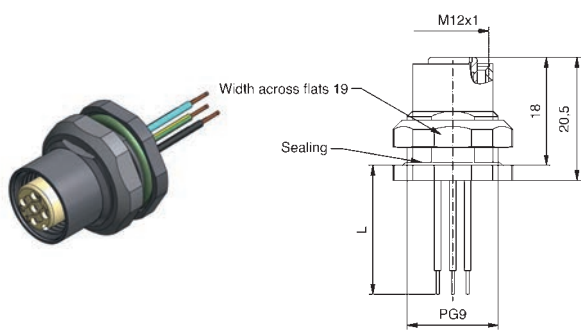
SAL-FB-12-FS8-0,5-9

43-02822

M12x1 F&B SOCKETS

Back panel mounting, wire termination

Female connector, PG9 thread

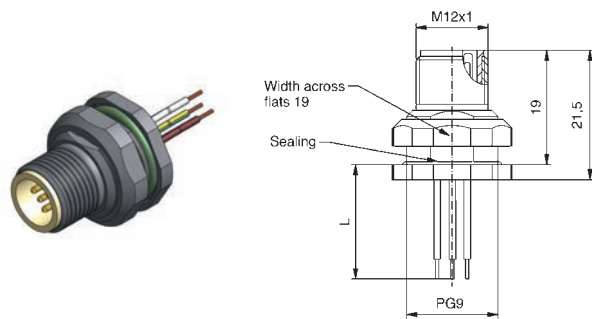


Contact assignment

- Pin 1 ■
- Pin 2 □
- Pin 3 ■
- Pin 4 ■

Number of poles	Coding	Rated voltage [V]	Current rating [A]	Wire material	Wire section [AWG]	Wire length = L [m]	Description	Part No.
4	A	250	4	PVC	24	0,5	SAL-FB-12-FKH4-0,5-9	43-02328
5	A	60	4	PVC	24	0,5	SAL-FB-12-FKH5-0,5-9	43-02329
8	A	30	2	PVC	24	0,5	SAL-FB-12-FKH8-0,5-9	43-02330

Male connector, PG9 thread



- Pin 1 ■
- Pin 2 □
- Pin 3 ■
- Pin 4 ■

- Pin 1 ■
- Pin 2 □
- Pin 3 ■
- Pin 4 ■
- Pin 5 ■

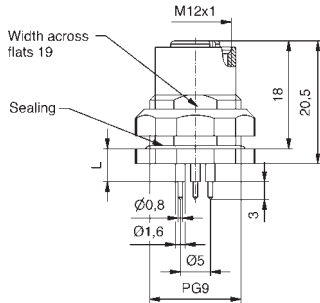
- Pin 1 □
- Pin 2 ■
- Pin 3 ■
- Pin 4 ■
- Pin 5 ■
- Pin 6 ■
- Pin 7 ■
- Pin 8 ■

4	A	250	4	PVC	24	0,5	SAL-FB-12-FSH4-0,5-9	43-02331
5	A	60	4	PVC	24	0,5	SAL-FB-12-FSH5-0,5-9	43-02332
8	A	30	2	PVC	24	0,5	SAL-FB-12-FSH8-0,5-9	43-02333

M12x1 F&B SOCKETS

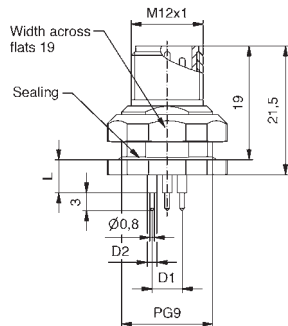
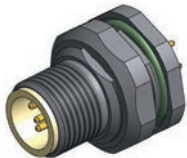
Back panel mounting, dip solder termination

Female connector, PG9 thread



Number of poles	Coding	Rated voltage [V]	Current rating [A]	Installation height [mm]	Description	Part No.
4	A	250	4	5,5	SAL-FB-12-FKH4-P5,5-9	43-01894
5	A	60	4	5,5	SAL-FB-12-FKH5-P5,5-9	43-01896
8	A	30	2	5,5	SAL-FB-12-FKH8-P5,5-9	43-02340
4	A	250	4	12	SAL-FB-12-FKH4-P12-9	43-01895
5	A	60	4	12	SAL-FB-12-FKH5-P12-9	43-01897
8	A	30	2	12	SAL-FB-12-FKH8-P12-9	43-02341

Male connector, PG9 thread



4	A	250	4	5,5	SAL-FB-12-FSH4-P5,5-9	43-02334
5	A	60	4	5,5	SAL-FB-12-FSH5-P5,5-9	43-02335
8	A	30	2	5,5	SAL-FB-12-FSH8-P5,5-9	43-02345
4	A	250	4	12	SAL-FB-12-FSH4-P12-9	43-02336
5	A	60	4	12	SAL-FB-12-FSH4-P12-9	43-02337
8	A	30	2	12	SAL-FB-12-FSH8-P12-9	43-02346

По вопросам продаж и поддержки обращайтесь:

Архангельск (8182)63-90-72
Астана (7172)727-132
Астрахань (8512)99-46-04
Барнаул (3852)73-04-60
Белгород (4722)40-23-64
Брянск (4832)59-03-52
Владивосток (423)249-28-31
Волгоград (844)278-03-48
Вологда (8172)26-41-59
Воронеж (473)204-51-73
Екатеринбург (343)384-55-89

Иваново (4932)77-34-06
Ижевск (3412)26-03-58
Казань (843)206-01-48
Калининград (4012)72-03-81
Калуга (4842)92-23-67
Кемерово (3842)65-04-62
Киров (8332)68-02-04
Краснодар (861)203-40-90
Красноярск (391)204-63-61
Курск (4712)77-13-04
Липецк (4742)52-20-81

Магнитогорск (3519)55-03-13
Москва (495)268-04-70
Мурманск (8152)59-64-93
Набережные Челны (8552)20-53-41
Нижний Новгород (831)429-08-12
Новокузнецк (3843)20-46-81
Новосибирск (383)227-86-73
Омск (3812)21-46-40
Орел (4862)44-53-42
Оренбург (3532)37-68-04
Пенза (8412)22-31-16

Пермь (342)205-81-47
Ростов-на-Дону (863)308-18-15
Рязань (4912)46-61-64
Самара (846)206-03-16
Санкт-Петербург (812)309-46-40
Саратов (845)249-38-78
Севастополь (8692)22-31-93
Симферополь (3652)67-13-56
Смоленск (4812)29-41-54
Сочи (862)225-72-31
Ставрополь (8652)20-65-13

Сургут (3462)77-98-35
Тверь (4822)63-31-35
Томск (3822)98-41-53
Тула (4872)74-02-29
Тюмень (3452)66-21-18
Ульяновск (8422)24-23-59
Уфа (347)229-48-12
Хабаровск (4212)92-98-04
Челябинск (351)202-03-61
Череповец (8202)49-02-64
Ярославль (4852)69-52-93

Единый адрес: ccn@nt-rt.ru | <http://www.conec.nt-rt.ru>